

**LUXURY 19 1/2"  
18 GAUGE STAINLESS STEEL VANITY BASIN**

**Semi-recess vanity basin**

- 18-10 Chrome Nickel content
- Installation hardware, template and instructions included
- **Waste fittings not included, must be ordered separately**
- **21" cabinet required**



**Nominal Dimensions:**

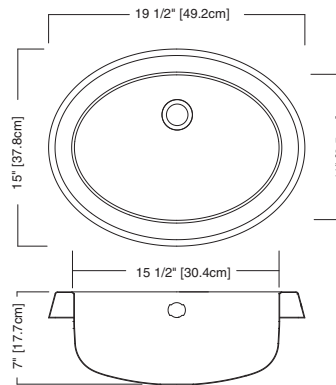
19 1/2" x 15" x 7"

**Bowl Size:**

15 1/2" wide  
11" front to back  
7" deep

**Compliance Certifications:**

**IMPORTANT:** Dimensions of fixtures are nominal and may vary within the range of tolerances established by ASME A112.19.3  
These measurements are subject to change or cancellation. No responsibility is assumed for use of superseded or voided leaflet.



**To Be Specified:**